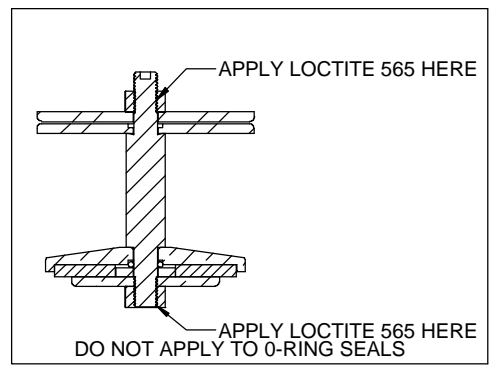


REVISIONS					
ZONE	ECN	REV.	DESCRIPTION	DATE	APP'D
	102029	H	REDRAWN IN SOLIDWORKS, 1-WAS BR1074296	5-30-13	NBE

ITEM NO.	Default/QTY.	PART NUMBER	DESCRIPTION
1	1	BR1074277	BODY 425, 2" NPT
2	1	BR1074321	SEAT, 425, BRASS
3	2	BR1263853	NUT,HEX, 5/16"-24 ,SS
4	1	BR1074313	PLATE,DISC,AV5,BRASS,MCHD
5	1	BR1071794	O-RING, -035, FKM
6	1	BR1074310	DISC,425, HYCAR
		BR1074311	DISC,425, TEFLON
7	1	BR1074304	DISC HOLDER, AV5
8	2	BR1071786	O-RING, -011, FKM
9	1	BR1071795	O-RING, -038, FKM
10	1	BR43243	GUIDE, SHAFT,425, BRASS
11	1	BR1074281	CAP, 425,NPT TAP TOP,CI
12	6	BR1072400	SCREW, 5/16-18X1 1/8", HX HD,
13	1	BR1074296	DIAPHRAGM, SERIES 425
		BR1074297	DIAPHRAGM, DOUBLE COATED
14	6	BR1071657	HEX NUT, 5/16"-18,ZINC PLATED
15	2	BR1071664	O-RING, AFLAS, -206
16	1	BR1074314	SHAFT,425,NO
17	1	BR1074382	SPACER, BRASS
18	1	BR1074295	PLATE, LOWER DIAPHRAGM
19	1	BR1074294	PLATE, UPPER DIAPHRAGM

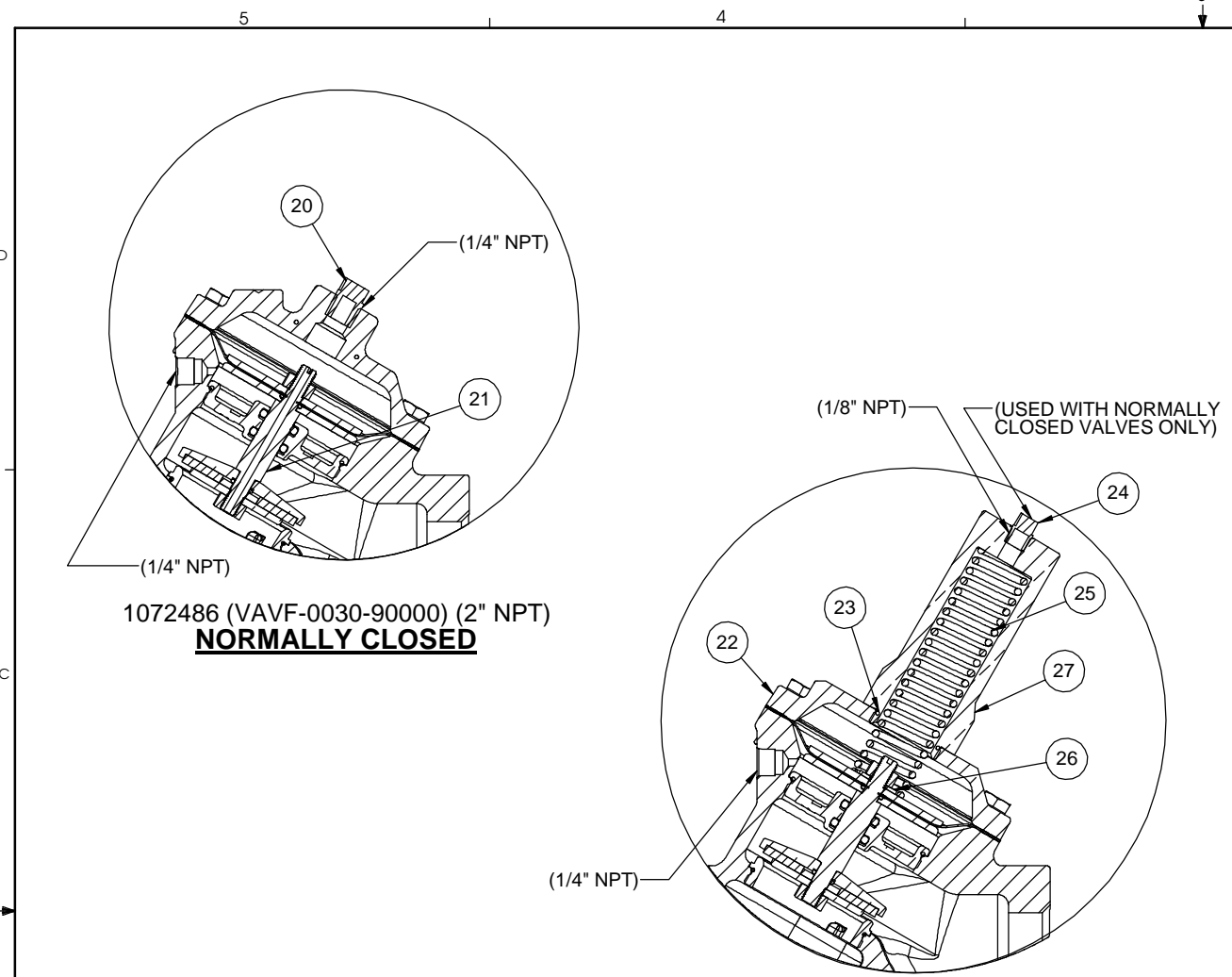
REPAIR PARTS KITS		
DESCRIPTION	PART NO.	
DIAPHRAGM & SEALS KIT CONSIST OF ITEM NO'S 3(2),5,6,8(2),9,14,16(2)	1070108 (AV5-RA)	1070503 (AV5-RAHT)
	INCLUDES DISC 1074310 (425-JH) DIAPHRAGM 1074296 (425-FB)	INCLUDES DISC 1074311 (425-JT) DIAPHRAGM 1074297 (425-FV)
INT. PARTS KIT (NORM. OPEN) CONSIST OF STANDARD ITEM NO'S 4,7,10,17,18,19,20	1070504 (AV5-RF)	
SEAT (ITEM NO. 2)	1074321 (425-MO)	



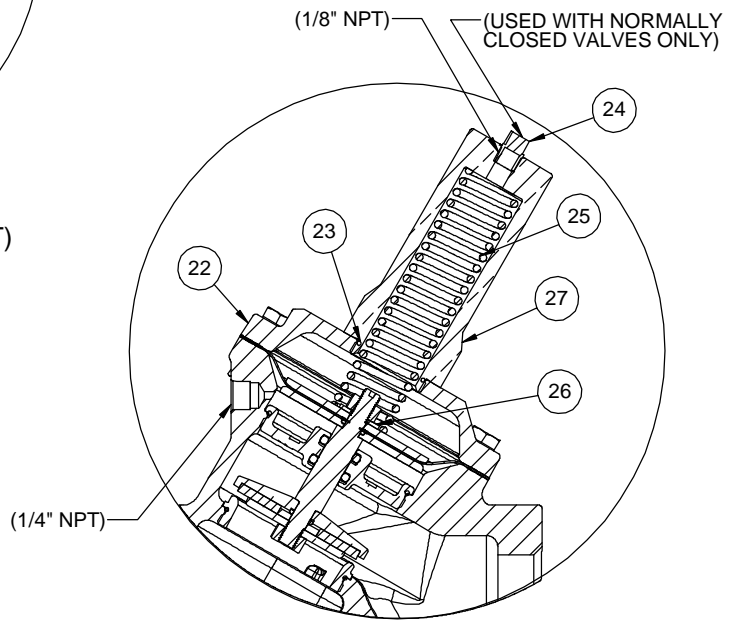
ASSEMBLY TOOLS	
DESCRIPTION	PART NO.
FOR INSTALLATION & REMOVAL OF SEAT (ITEM #2) (TOOL NOT SHOWN)	1074411 (426-MT)
FOR INSTALLATION & REMOVAL OF SHAFT GUIDE (ITEM #10) (TOOL NOT SHOWN)	1074299 (425-GAT)

NOTE:
 1. AMERICAN NATIONAL STANDARD TAPER PIPE
 THREADS (NPT) PER ANSI B2.1-1968
 2. VALVES AVAILABLE WITH B.S.P.T. END
 CONNECTIONS.

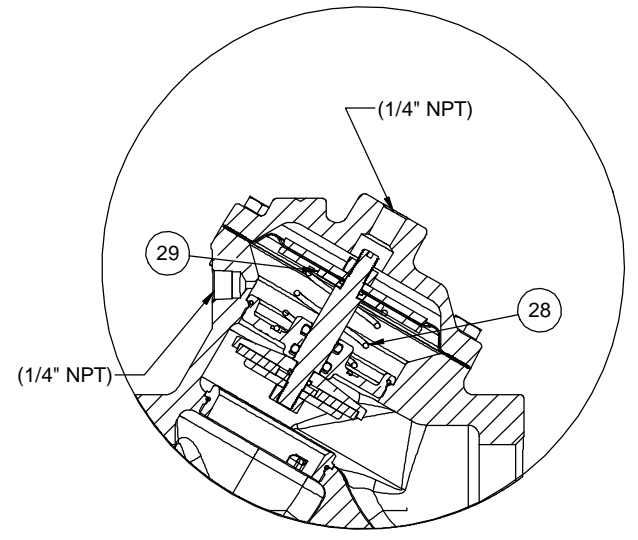
© 2016 AQ Matic Valve and Controls Company, Inc. All rights reserved.	THIRD ANGLE PROJECTION				16605 West Victor Rd New Berlin, WI 53151 262-326-0100 www.aq-matic.com
	APPROVALS		DATE	TITLE CATALOG SHEET, AV5	
DO NOT SCALE DRAWING. DIMS. ARE IN INCHES [mm] INTERPRET DIMS AND TOLERANCES PER ASME Y14.5M-2009 UNLESS OTHERWISE SPECIFIED.	DRAWN NE	08-25-12	SIZE C	DWG NO. BR1077637	REV J.
TOLERANCES: ANGLES: ±1° 1 PLACE .X. 2 PLACE .XX. 3 PLACE .XXX.	APPROVED		SCALE 1:2	SHEET 1 OF 2	



1072486 (VAVF-0030-90000) (2" NPT)
NORMALLY CLOSED



1072485 (VAVF-0002-90000) (2" NPT)
SPRING ASSIST CLOSED



1072484 (VAVF-0001-90000) (2" NPT)
SPRING ASSIST OPEN

REVISIONS					
ZONE	ECN	REV.	DESCRIPTION	DATE	APP'D


NORMALLY CLOSED MODEL			
ITEM NO.	Default (normally closed)/QTY.	PART NUMBER	DESCRIPTION
20	1	BR1071918	MALE PIPE PLUGS,
21	1	BR1074317	VALVE SHAFT, STANDARD, NC

SPRING ASSIST CLOSED MODEL			
ITEM NO.	Default (spring assist closed)/QTY.	PART NUMBER	DESCRIPTION
22	1	BR1074284	CAP, 425,SPRING ASSIST CLOSED, CI
23	1	BR1071677	O-RING,2-025,NITRILE
24	1	BR1071903	MALE PIPE PLUGS,
25	1	BR1074429	COMPRESSION SPRING, SERIES
26	1	BR1074083	WASHER,
27	1	BR1074431	SPRING RETAINER NUT, 425 & 426

SPRING ASSIST OPEN MODEL			
ITEM NO.	Default (spring assist open)/QTY.	PART NUMBER	DESCRIPTION
28	1	BR1078692	SPRING, COMPRESSION
29	1	BR1074436	WASHER, CENTERING,BRASS

CONVERSION KITS	
DESCRIPTION	PART NO.
CONVERSION KIT (SPRING ASSIST CLOSED) CONSISTS OF STANDARD ITEM NO'S 22 THRU 37	1070507 (AV5-SCC)
CONVERSION KIT (SPRING ASSIST OPEN) CONSISTS OF STANDARD ITEM NO'S 28, 29	1070508 (AV5-SO)

REPAIR PARTS KITS	
DESCRIPTION	PART NO.
INT. PARTS KIT (NORM. CLOSED) CONSISTS OF STANDARD ITEM NO'S 4, 7, 10, 18, 19, 20, 21	1070505 (AV-RG)
INT. PARTS KIT (SPRING ASSIST CLOSED) CONSISTS OF STANDARD ITEM NO'S 22, 25, 26	1070506 (AV5-SC)
INT. PARTS KIT (SPRING ASSIST OPEN) CONSISTS OF STANDARD ITEM NO'S 28, 29	1070508 (AV5-SO)

© 2016 AQ Matic Valve and Controls Company, Inc. All rights reserved.	THIRD ANGLE PROJECTION	 16605 West Victor Rd New Berlin, WI 53151 262-326-0100 www.aq-matic.com	
	APPROVALS		DATE
DO NOT SCALE DRAWING. DIMS. ARE IN INCHES [mm] INTERPRET DIMS AND TOLERANCES PER ASME Y14.5M-2009 UNLESS OTHERWISE SPECIFIED.	DRAWN	NE	08-25-12
	APPROVED		
	CHECKED		
TOLERANCES: ANGLES: ± 1° 1 PLACE .X. 2 PLACE .XX. 3 PLACE .XXX.		TITLE	CATALOG SHEET, AV5
		SIZE	C
		DWG NO.	BR1077637
		SCALE	1:2
		REV	J.
		SHEET 2 OF 2	